

Spring
2016

NEW WAVE NEWS

Science Fair Rocks: 'We Saw Some Amazing Work' »

Undergrad Neuroscience Program Makes National List »

Department of Chemistry Presents Hans B. Jonassen Lecture Series Speaker: Could 'Artificial Leaf' Solve the Global Energy Challenge? »

Study: New Drug Could Be Safer, Non-Addictive Alternative to Morphine »

Let's Get Physical »

Read Other News »

ACCOLADES

Julie Albert, Chemical and Biomolecular Engineering Assistant Professor and the Robert and Gayle Longmire Early Career Professor in Chemical Engineering, is one of eight recipients of the prestigious Gulf Research Program Early-Career Research Fellowship from the National Academy of Sciences. Dr. Albert will conduct research on nanoporous membranes for

Message from the Dean

Nicholas J. Altiero, Dean

Created in 2006 in the wake of Hurricane Katrina, the School of Science and Engineering at Tulane University is unique in that it has established Tulane as the first and to date only university to merge the physical sciences, the life sciences, engineering, and mathematics into one integrated and trans-disciplinary academic unit. This has positioned Tulane University to be a leader in shaping future generations of scientists and engineers.

[Read Dean's Message »](#)



A Personal Connection Makes a Huge Impact on the Tulane Brain Institute

Article by Allison Hjortsberg

The Markos, like many others, realize that understanding the brain is no small task. The Brain Institute is a new university-wide initiative that will provide an infrastructure to coordinate and expand the programs and research initiatives that are currently



Celebrating the Brain Institute together from left to right: SSE Dean Nick Altiero, Marta Marko, President Mike Fitts, and William Marko (E' 81, E '83)

underway, and push them to the next level.

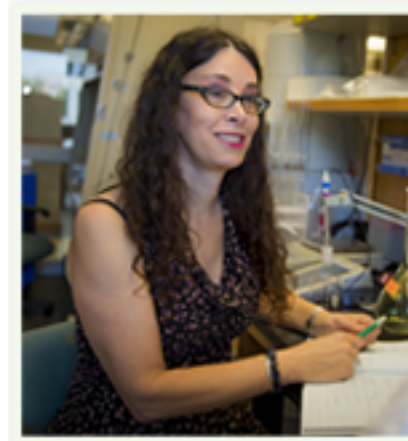
[Read Full Story »](#)

Tulane Professor Studying Arsenic Levels in Rural Louisiana Drinking Water

Article by Barri Bronston

Tulane University geochemistry professor Karen Johannesson won accolades when in 2011 she and her research team made significant discoveries about the origins of arsenic in drinking water in India. Johannesson couldn't help but wonder if her research could be applied closer to home.

[Read Full Story »](#)



enhanced oil recovery from oil spills.

Elizabeth P. Derryberry, Ecology and Evolutionary Biology Assistant Professor, recently had her research featured in the *Bay Nature* magazine.

[Read Full Story »](#)

Stacy Overstreet, Department of Psychology Professor and Department Chair, received *The Psychology Times'* Community Development Award

[Read About the Award »](#)

CONTACT US

Tulane University
School of Science & Engineering
Suite 201, Lindy Boggs Center
for Energy and Biotechnology
New Orleans, LA 70118

Phone: 504-865-5764
Fax: 504-862-8747

✉ sse@tulane.edu

FEEDBACK

We Want to Hear
From You!

Please send us your feedback on
the newsletter to:

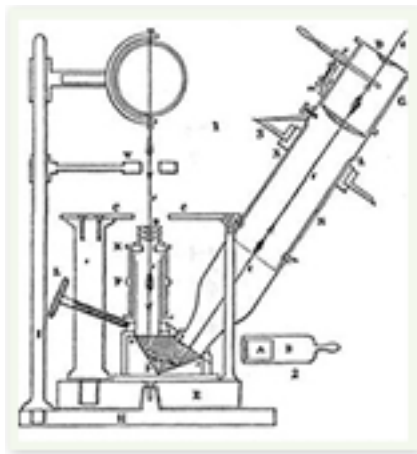
✉ candy@tulane.edu

Give to SSE

Send Us
YOUR NEWS



Send Us
YOUR EVENTS



Alumnus Connects Tulane to Microscope's History

Article by Allison Hjortsberg

In the mid 1800's, the United States was not on the forefront of scientific innovation—Europe dominated the field. That makes it all the more fascinating that two of the most ground-breaking scientific inventions in microscopy occurred in the United States – at Tulane University, says Lary Walker (G '76, '79).

[Read Full Story »](#)

Breaking New Ground: NSF Fellowship Recipients in Science and Engineering

Article by Benjamin Morris

For many graduate students, securing a fellowship means more than just financing their education and facilitating research time. Increasingly, a key part of an early researcher's career, a fellowship also opens the doors to mentorships, travel, and new avenues for dissemination of research.

[Read Full Story »](#)



Our Temporary MakerSpace Is Open! »

View Dean's Webinars »

View SSE Videos »

Upcoming Events

School of Science and Engineering Highlights

**10th Annual School of Science and
Engineering Outstanding
Researcher Ceremony**

Friday, April 8, 2016
3 PM – 4 PM

**2016 Masters Recognition and PhD
Hooding Ceremony**

Friday, May 13, 2016
10 AM
McAlister Auditorium, Tulane Uptown

Lavin-Bernick Center for University
Life – Room 213 – Kendall Cram
Lecture Hall

*Reception immediately following in
Room 212 – Qatar Ballroom
Everyone is Invited*

10th Annual School of Science and Engineering Research Day – Poster Session

Thursday, April 8, 2016
4 PM – 5 PM

Lavin-Bernick Center for University
Life – Room 212 – Qatar Ballroom
Everyone is Invited

Novel Tech Challenge Pitch & Final Judging Round

Wednesday, April 13, 2016
2:30 PM – 4:30 PM

with Reception to Follow
Freeman School of Business –
Goldring/Woldenberg Hall II –
Room 1111
RSVP to mheine@tulane.edu

16th Annual Tulane Engineering Forum

Friday, April 15, 2016
8 AM – 5 PM

Ernest N. Morial Convention Center
Registration is Required
For More Information »

Campus

Reception will follow in the Lavin-
Bernick Center for University Life –
Room 213 – Kendall Cram Lecture
Hall & Room 212 – Qatar Ballroom
*School of Continuing Studies, School
of Liberal Arts, School of Medicine –
Biomedical Sciences, and the School
of Science and Engineering*

2016 School of Science and Engineering Undergraduate Graduation Ceremony

Saturday, May 14, 2016
4 PM

Devlin Fieldhouse - Tulane Uptown
Campus

**For Student, Faculty, and
Guest Ceremony Information
& Instructions »**

View All Events »

**See a weekly schedule of Science
and Engineering Seminars open to
the public »**

Keep Up
With Us



Newsletters



Facebook



Twitter



LinkedIn